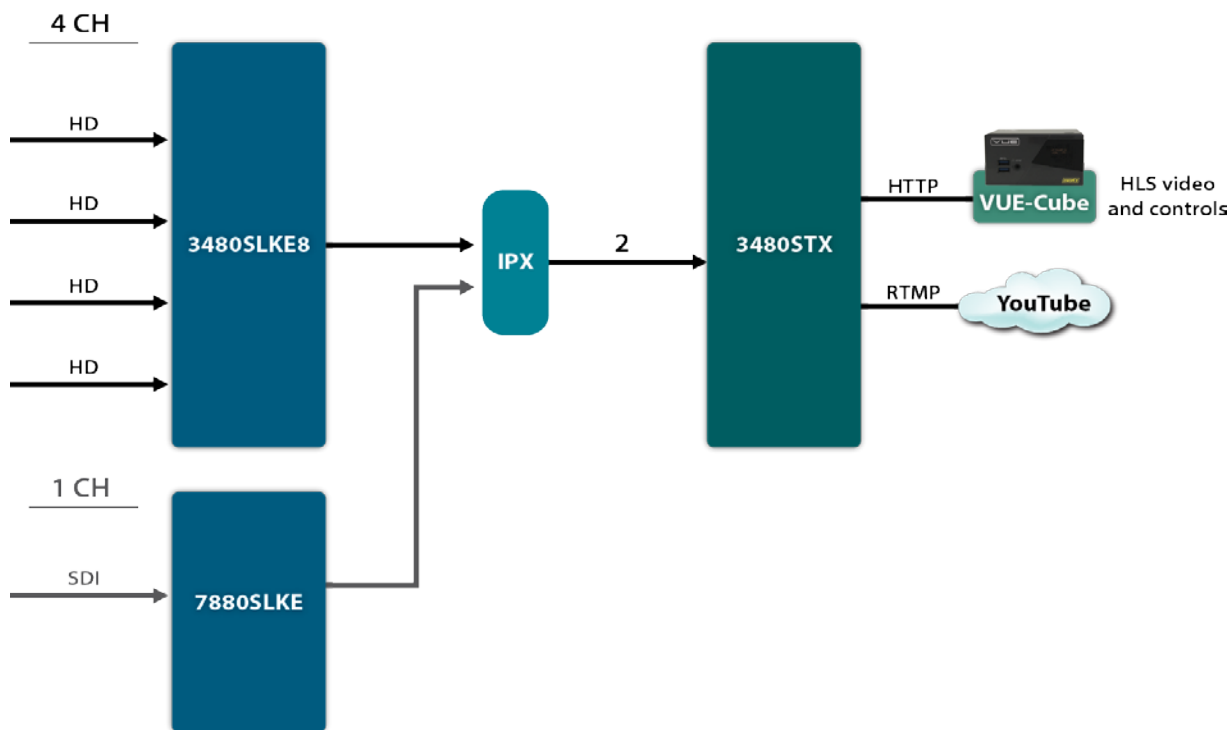
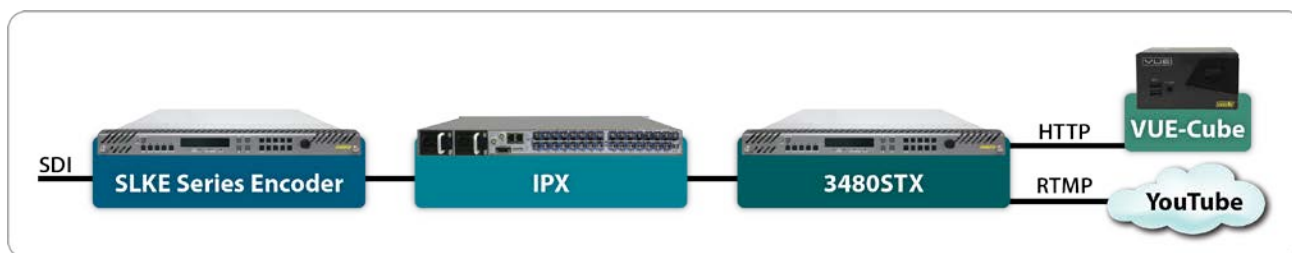


## INTRODUCTION

The Evertz Over-The-Top (OTT)-VUE package provides consumers the best solution for streaming of ad-hoc and scheduled events to YouTube. It is designed to allow an operator to publish live streams for YouTube with the ability to start and stop these streams and to conserve network bandwidth. All this is done using the VUE-WEB interface, which is a user-friendly web browser that can be accessed by PC, tablet or any other mobile device.

The signal flow through this system is described as:

- The SDI input is encoded with the SLKE encoder and made available in a multicast format on the IPX switch
- The 3480STX joins the multicast(s) coming from the IPX and wraps it into both HLS and RTMP formats
- The VUE-Cube joins the HTTP signal that carries the HLS channel, decodes it and displays it in VUE-WEB
- The VUE-WEB has *Start* and *Stop* YouTube publishing controls available that enable or disable the RTMP link between the 3480STX and the YouTube access point.



## FEATURES

The YouTube Live Solution allows the user to:

- Preview live channels before publishing them to YouTube,
- Utilize the Evertz fully customizable VUE-WEB application,
- Start and stop the streaming of selected channels to YouTube.

### Target Users

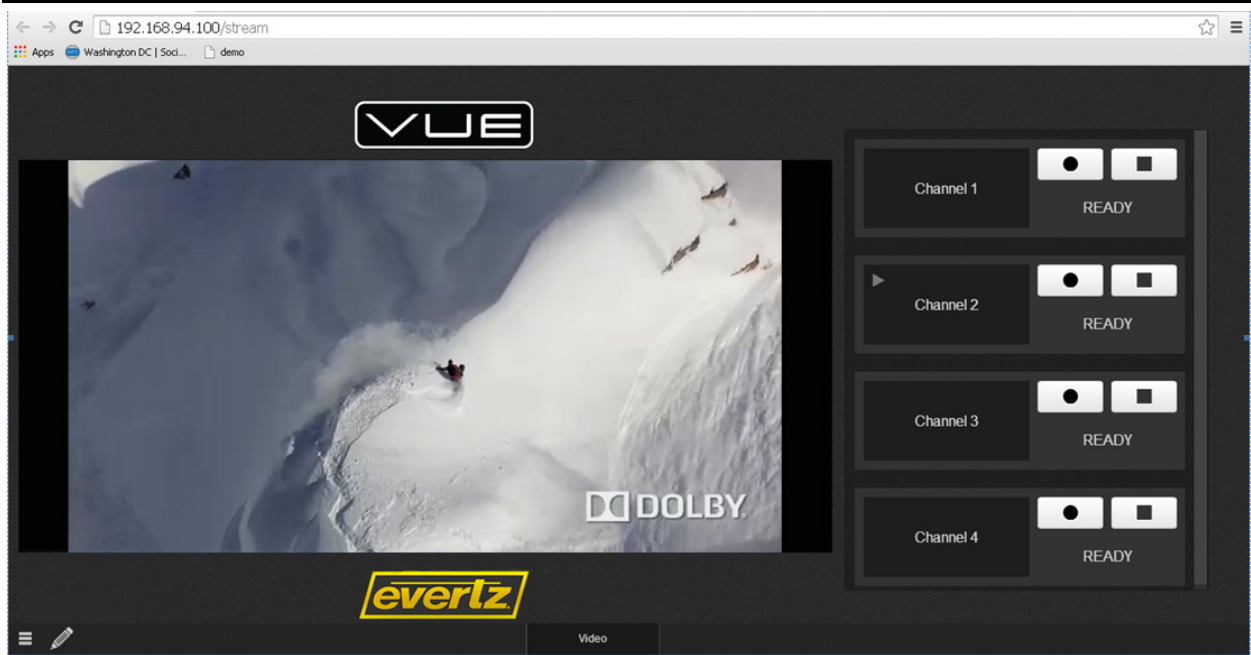
This user-friendly solution is ideal for use in any facility looking to distribute their live, commercial-free and ad-free content to the web using services such as YouTube or Google Live. This application is suitable for Government Agencies, Parliamentary and/or Presidential channels that require easy-to-use OTT technology to distribute live announcements onto the web. Some other ideal end users are Educational Institutions, Houses of Worship, Broadcast facilities, cable headends and the AV market.

## COMPETITIVE ADVANTAGES

The OTT-VUE Package was developed by Evertz to work synchronously with other Evertz hardware and software platforms. Its operation provides the user with friendly monitoring and control of their YouTube Live channels. This operation is performed through the fully customizable VUE-WEB application that is easily tailored to meet the user's specific application. This package provides the user with YouTube confidence monitoring by allowing the user to see the stream from YouTube in the VUE-WEB application. It also allows the user to preview the stream prior to publishing the video as well as view the YouTube video they are creating.

This flexible Solution can be scaled to meet the needs of a multichannel application as well, by using a combination of the 3480TXE and the 3480FRG. VUE-WEB adds additional flexibility, as it can be access from any mobile environment without the need for a fixed location.

The OTT-VUE package demonstrates its range of possible uses and emphasizes its flexibility through its ability to be used with any Content Distribution Network available to the user such as Akamai, Limelight or Level3.



**Figure 1: VUE Cube Web Interface**